

Tire Bead Wire

Bead Wire is used as reinforcement in radial and conventional tires. Our bead wire has excellent adhesion to rubber and superior mechanical characteristics.

Our product is manufactured and inspected to meet or exceed the strictest international industry standards such as ASTM D-1871-98.

STANDARDS

ASTM-D-1871
Customer requirements

USES

Manufacture of:

- > Regular and radial tires for cars, bikes and trucks
- > Air supports
- > High-pressure hose
- > Flexible duct



ADVANTAGES

- > High tensile strength as well as high ductility (elongation)
- > Special packaging to protect against corrosion and aimed at increasing shelf life
- > Greater adhesion: resin-coating prevents rust
- > Straightness: wire maintains straightness after uncoiling and contains no residual torsion stress
- > Manufactured and packaged to your specifications in an ISO 9001:2000 facility

GRADES

High Tensile Strength
Regular Tensile Strength

PACKAGING

Steel reels: 992 lbs (450 kg)
Reeless cores: 992 lbs (450 kg)

TIRE BEAD WIRE DIAMETERS

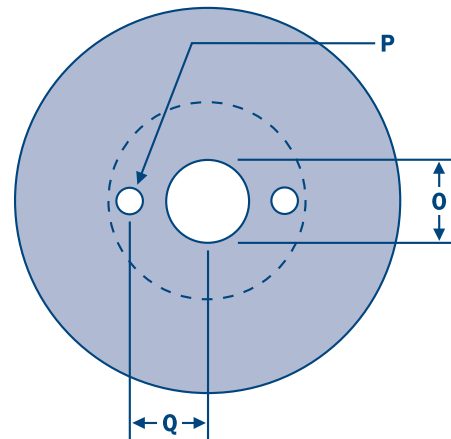
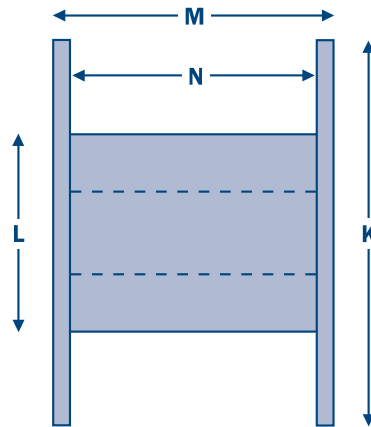
Regular or High Tensile Strength	
in	mm
0.035	0.89
0.038	0.96
0.051	1.30
0.061	1.55
0.063	1.59
0.072	1.83

TIRE BEAD WIRE SPECIFICATIONS

Specification	Units	High Tensile	Regular Tensile	High Tensile	Regular Tensile	High Tensile	Regular Tensile	High Tensile
Diameter	mm	0.965	0.965	1.295	1.295	1.6	1.83	1.83
	in	0.038	0.038	0.051	0.051	0.0625	0.072	0.072
Breaking Strength	N	1,540 Min.	1,270 Min.	2,800 Min.	2403 Min.	4180 Min.	4750 Min.	5,540 Min.
Total Elongation	%	5.3 Min.	5.0 Min.	5.0 Min.	5.0 Min.	6.0 Min.	6.0 Min.	6.0 Min.
Coating	g/kg	0.30 - 0.64	0.30 - 0.64	0.19 - 0.49	0.20 - 0.5	0.16 - 0.40	0.15 - 0.35	0.15 - 0.45
Copper	%	97.0 - 99.0	97.0 - 99.0	97.0 - 99.0	97.0 - 99.0	97.0 - 99.0	97.0 - 99.0	97.0 - 99.0
Tin	%	1.0 - 3.0	1.0 - 3.0	1.0 - 3.0	1.0 - 3.0	1.0 - 3.0	1.0 - 3.0	1.0 - 3.0
Weight	Kg	430 - 480	430 - 480	430 - 480	430 - 480	430 - 480	430 - 480	430 - 480
	lb	948 - 1058	948 - 1058	948 - 1058	948 - 1,058	948 - 1,058	948 - 1,058	948 - 1,058

Reel or reeless packaging.

- K** 29.92 in - 760 mm
- L** 13.97 in - 355 mm
- M** 12.99 in - 330 mm
- N** 11.02 in - 280 mm
- O** 1.28 in - 32.5 mm
- P** 0.81 in - 20.5 mm
- Q** 2.52 in - 64 mm



- R** 28.35 in - 720 mm
- S** 11.02 in - 280 mm
- T** 13.98 in - 355 mm
- U** 14.69 in - 373 mm
- X** 1.00 in - 25.4 mm

